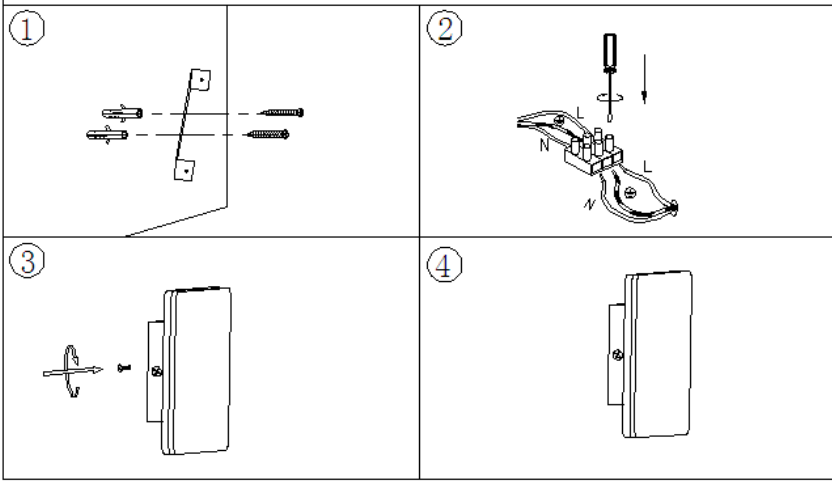


ASSEMBLY INSTRUCTIONS

ITEM: 864-8w



Thank you for purchasing your GEMINI SQUARE WALL WASHER and we hope it will bring you many years of service. Please read and retain the following important instructions.

**ASSEMBLY INSTRUCTIONS**

A qualified electrician must be engaged to assemble and fit the luminaire. All work should be carried out with the mains power supply off.

1. Carefully remove all parts of the luminaire from the packing and check against the assembly drawing. Be careful when unpacking the luminaire since the wires are connected. If the wires are pulled out of their connectors, it may result in a bad connection.
2. Remove the wall bracket from the packaging (1) and fit to the wall making sure it is secured with appropriate screws.
3. Connect the electrical supply (2) cables. Offer the luminaire up to the wall bracket and line up the holes (3) and fix in place using the screws provided.
4. The luminaire installation is now complete and may now be tested.
5. Keep the luminaire clean by dusting with a dry cloth, do not use any type of metal cleaner as this will affect the clear lacquer finish.

**IMPORTANT SAFETY INSTRUCTIONS**

If you are in any doubt consult a person competent to give advice on the assembly of electrical equipment.

Always be sure to use the correct type and wattage of bulb as indicated on the fitting.

If the external flexible cable of the lamp is damaged it shall be exclusively replaced by the manufacturer or his service agent or a similar qualified person in order to avoid a hazard.

When changing the bulb, always switch off at the mains and allow the old bulb to cool down before handling. Dispose of used bulbs carefully.

For more information please visit our website [www.westlite.co.uk](http://www.westlite.co.uk) or call 01823 618641

Product ref: GEMSQR  
Date: July 2015