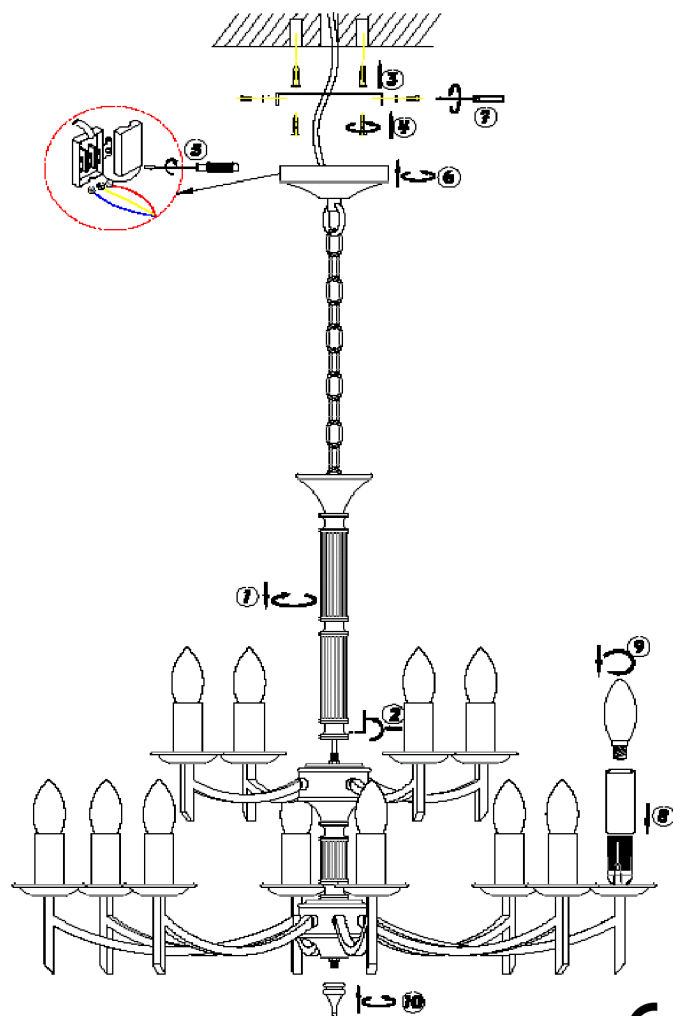


WESTLITE

Inspiring Lighting

PATRINIA 12 LIGHT



Thank you for purchasing your PATRINIA CEILING PENDENT and we hope it will bring you many years of service. Please read and retain the following important instructions.

ASSEMBLY INSTRUCTIONS

A qualified electrician must be engaged to assemble and fit the luminaire. All work should be carried out with the mains power supply off.

1. Carefully remove all parts of the pendent from the packing and check against the assembly drawing. Be careful when unpacking the luminaire since the wires are connected. If the wires are pulled out of their connectors, it may result in a bad connection.
2. Fit top two tube sections together by holding top section still and rotating bottom section (1).
3. Fit the assembled tube section in place on the main luminaire assembly (2) taking care to untwist the cable as you progress.
4. Should you wish to adjust the length of chain and cable to suit your particular installation, this should be done now, before commencing final installation.
5. Remove the ceiling bracket from the top cup (3) and fit to the ceiling making sure it is secured to a suitable ceiling joist or ceiling noggin (4). Screws must be used which are suitable for the weight of the fitting.
6. Connect the electrical supply (5) cables and push excess cabling up through the hole in the ceiling. Offer the cup to the ceiling bracket and line up the holes (6). Fix in place using the screws provided (7).
7. With the pendent now in place fit the lamp holder decorative covers (8) and insert the recommended lamps (9). This luminaire is rated for up to 60w SES candle lamps. For low energy considerations we recommend WESTLITE 5w SES LED candle lamps.
8. Fit the decorative cap nut at the base of the luminaire (10).
9. The luminaire installation is now complete and may now be tested.
10. Keep the luminaire clean by dusting with a dry cloth, do not use any type of metal cleaner as this will affect the clear lacquer finish.

IMPORTANT SAFETY INSTRUCTIONS

If you are in any doubt consult a person competent to give advice on the assembly of electrical equipment.

Always be sure to use the correct type and wattage of bulb as indicated on the fitting.

If the external flexible cable of the lamp is damaged it shall be exclusively replaced by the manufacturer or his service agent or a similar qualified person in order to avoid a hazard.

When changing the bulb, always switch off at the mains and allow the old bulb to cool down before handling. Dispose of used bulbs carefully.

For more information please visit our website www.westlite.co.uk or call 01823 618641