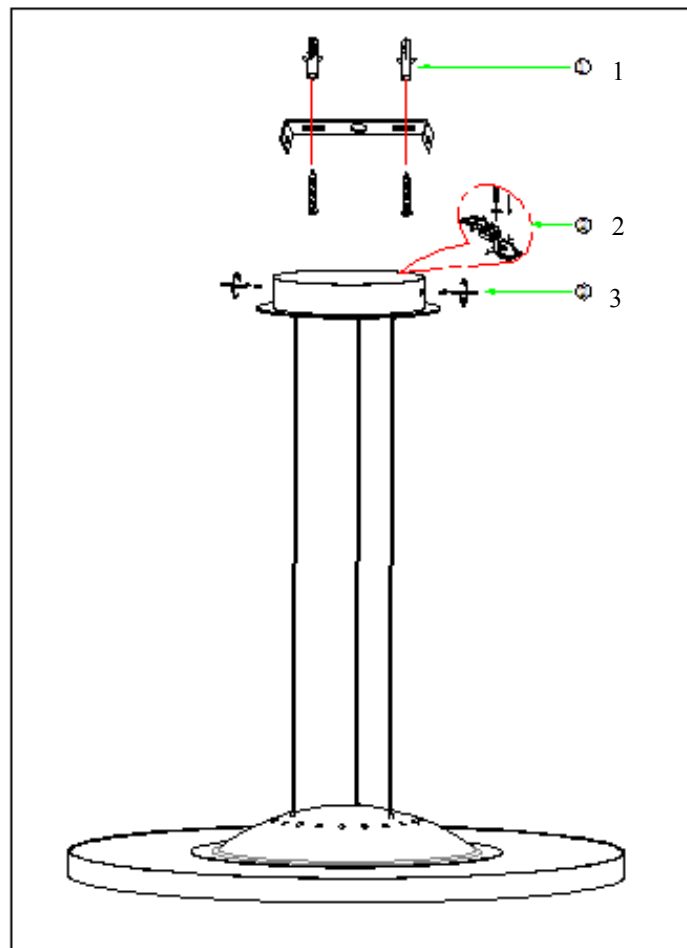


WESTLITE
Inspiring Lighting

TRITON 550



CE

Thank you for purchasing your TRITON 550 CEILING PENDANT and we hope it will bring you many years of service. Please read and retain the following important instructions.

ASSEMBLY INSTRUCTIONS

A qualified electrician must be engaged to assemble and fit the luminaire. All work should be carried out with the mains power supply off.

1. Carefully remove all parts of the luminaire from the packing and check against the assembly drawing. Be careful when unpacking the luminaire since the wires are connected. If the wires are pulled out of their connectors, it may result in a bad connection.
2. Remove the ceiling bracket from packaging (1) and fit to the ceiling making sure it is secured to a suitable ceiling joist or ceiling noggin (1). Screws must be used which are suitable for the weight of the fitting.
3. Connect the electrical supply (2) cables and push excess cabling up through the hole in the ceiling. Offer the light fitting up to the ceiling bracket and line up the holes. (3) Fix in place using the screws provided.
4. The luminaire installation is now complete and may now be tested.
5. Keep the luminaire clean by dusting with a dry cloth, do not use any type of metal cleaner as this will affect the clear lacquer finish.

IMPORTANT SAFETY INSTRUCTIONS

If you are in any doubt consult a person competent to give advice on the assembly of electrical equipment.

Always be sure to use the correct type and wattage of bulb as indicated on the fitting.

If the external flexible cable of the lamp is damaged it shall be exclusively replaced by the manufacturer or his service agent or a similar qualified person in order to avoid a hazard.

When changing the bulb, always switch off at the mains and allow the old bulb to cool down before handling. Dispose of used bulbs carefully.

For more information please visit our website www.westlite.co.uk or call 01823 618641

Product ref: TRI550

Date: July 2015